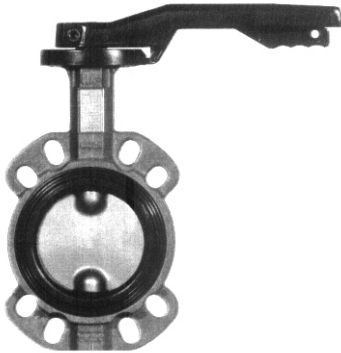


BUTTERFLY VALVE

Cast iron wafer butterfly with cast iron lens NP 16

Art. 112.0084 Polymeric indented lever

Art. 112.4084 Cast iron indented lever



Art. 112.0084

Execution: valve see table below - cast iron indented lever or polymeric indented lever - coupling with flanges NP10/16.

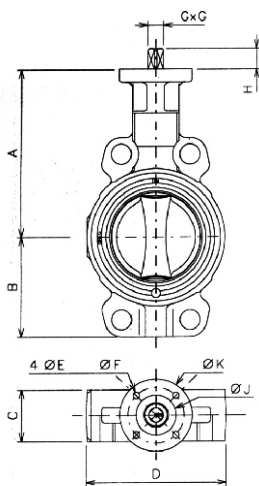
Diameters: ND 25 ÷ ND 300

Max pressure 16 bar

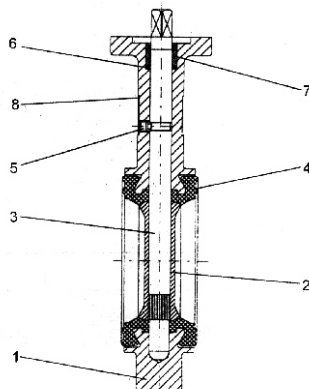
Max temperature see execution table below

Employments: seal EPDM general hot and cold water heating plants and industrial circuits - Nitrile seal for general air circuits, raw water, pumping and hydrocarbons.

On request: installation of pneumatic actuator simple or double effect (see chapter "L") - possibility of electric motorization.



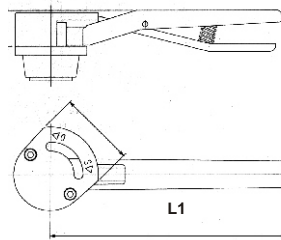
Sec.Art. 112.0084



Sec.Art. 112.0084

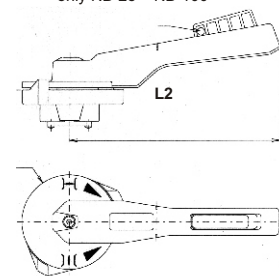
Art. 112.4084

Indented cast iron lever



Art. 112.0084

Indented polymeric lever
only ND 25 ÷ ND 100



Sizes

ND	A	B	C	D	ŘE	ŘF	GXG	H	ŘJ	ŘK	L1	L2
25/32	130	57	32	112	6.5	50	11	19	36	65	170	200
40	130	57	32	112	6.5	50	11	19	36	65	170	200
50	136	62	43	122	6.5	50	11	19	36	65	170	200
65	145	70	46	137	6.5	50	11	19	36	65	170	200
80	151	89	46	126	6.5	50	11	19	36	65	170	200
100	175	106	52	152	8.5	70	14	19	56	90	200	275
125	190	120	56	182	8.5	70	14	19	56	90	200	275
150	203	132	56	206	8.5	70	14	19	56	90	290	-
200	245.5	164	60	265	10.5	102	17	25	71	125	450	-
250	271	200	62	318	10.5	102	22	32	71	125	450	-
300	296	238	78	371	12.5	125	22	32	87	150	450	-

Execution

Part	Description	Material
1	Body	Cast iron (FGL250)
2	Lens	Ductile cast iron (FGS 400-15) Cupraluminium Stainless steel 316L ND<200 Stainless steel 316 ND<150
3	Yoke	Stainless steel 13% Cr

Execution

Part	Description	Material
4	Seal Elastomer	EPDM -15°C +110°C Nitrile +5°C +85°C
5	Holding screw	Galvanized steel twice-chromium plated
6	Gasket	Nitrile
7	Ring	IXEF
8	Label	Polyester

