

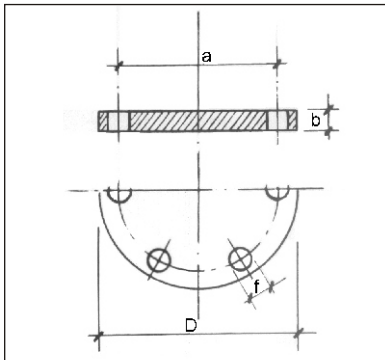
# FLANGES

## BLANK FLANGES NP 100 NP 160 AND NP 250

**Art. 008.6097 NP 100 UNI 6097/67**

**Art. 008.6098 NP 160 UNI 6098/67**

**Art. 008.6099 NP 250 UNI 6099/67**



**Execution:** ASTM A105 steel - completely turned - drilled as table  
- phonometric lined sealing surface.

**Diameters:** ND 10÷ND 350 (Art. 008.6097 NP 100 UNI 6097/67)  
ND 10÷ND 300 (Art. 008.6098 NP 160 UNI 6098/67)  
ND 10÷ND 250 (Art. 008.6099 NP 250 UNI 6099/67)

**On request:** FE 410 execution.

### Dimensions and weights

ND	UNI 6097/67 NP 100						UNI 6098/67 NP 160						UNI 6099/67 NP 250					
	Diam. D	C.line a	Thick. b	Holes n°	Diam. f	Appr. weight Kg.	Diam. D	C.line a	Thick. b	Holes n°	Diam. f	Appr. weight Kg.	Diam. D	C.line a	Thick. b	Holes n°	Diam. f	Appr. weight Kg.
10	100	70	20	4	14	1.040	100	70	20	4	14	1.040	125	85	24	4	18	1.960
15	105	75	20	4	14	1.160	105	75	20	4	14	1.160	130	90	26	4	18	2.330
20	130	90	22	4	18	1.960	130	90	22	4	18	1.960	135	95	26	4	18	2.550
25	140	100	24	4	18	2.530	140	100	24	4	18	2.530	150	105	28	4	22	3.340
32	155	110	24	4	22	3.060	155	110	26	4	22	3.330	165	120	32	4	22	4.740
40	170	125	26	4	22	3.950	170	125	28	4	22	4.280	185	135	34	4	25	6.200
50	195	145	28	4	25	5.640	195	145	30	4	25	6.080	200	150	38	8	25	7.720
65	220	170	30	8	25	7.500	220	170	34	8	25	8.560	230	180	42	8	25	11.800
80	230	180	32	8	25	8.870	230	180	36	8	25	10.500	255	200	46	8	30	15.600
100	265	210	36	8	30	13.300	265	210	40	8	30	14.900	300	235	54	8	33	26.-
125	315	250	40	12	33	21.300	315	250	44	8	33	23.500	340	275	60	12	33	36.700
150	355	290	44	12	33	29.400	355	290	50	12	33	33.600	390	320	68	12	36	55.600
175	385	320	48	12	33	38.600	390	320	54	12	36	44.100	430	355	74	12	39	74.300
200	430	360	52	12	36	52.500	430	360	60	12	36	61.-	485	400	82	12	42	106.-
250	505	430	60	12	39	85.100	515	430	68	12	42	100.-	585	490	100	16	48	185.-
300	585	500	68	16	42	129.-	585	500	78	16	42	147.-	-	-	-	-	-	-
350	655	560	74	16	48	175.-	-	-	-	-	-	-	-	-	-	-	-	-

