

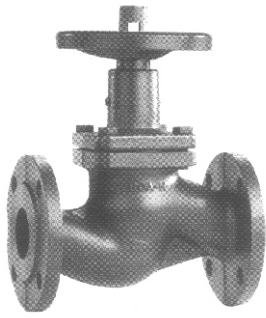
GLOBE VALVE

Cast iron JL1040 - JS1025 NP16 with bellows

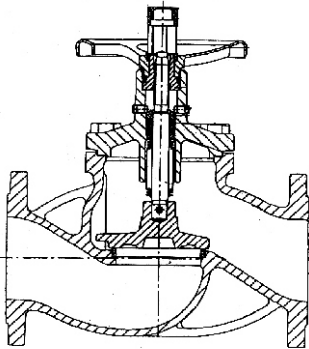
Art. 007.1124 Straight GJL 250

Art. 007.1125 Angle GJL 250

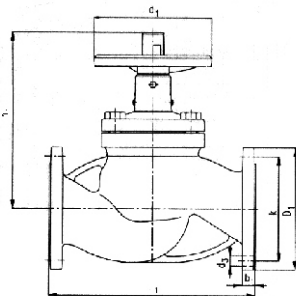
Art. 007.1126 Straight GJS 400



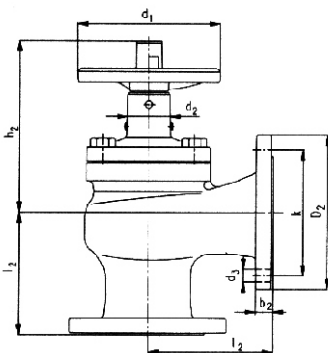
Art. 007.1124
Art. 007.1126



Sec.Art. 007.1124
Sec.Art. 007.1126



Art. 007.1124
Art. 007.1126



Art. 007.1125

Execution: grey cast iron EN-GJL-250(JL1040) or nodular cast iron EN-GJS-400-18-lt(JS1025) and angle with grey cast iron straight seat EN-GJL-250(JL1040) - cast iron compact body's bonnet - cap X20 Cr 13(ND15÷ND150) and C22/X 15 CrNi 18 8 (ND200÷ND350) - stainless steel seat and stem - stem seal maintenance-free with inox bellows and security stuffing box - aluminium non-rising handwheel (ND15÷ND150) and cast iron one (ND200÷ND350) - flange - opening indicator- according to DIN EN 1092-2 type 21size NP 16.

Diameters, pressures and temperatures: see scale below.

Employments: hot water heating plants DIN4751 and overheated water DIN4752 - heat conveying plants DIN4754 - under pressure tank set according to TRB801 Nr. 45 - steam boiler plants according to TRD108/110 - diathermic oil.

Working pressures and temperatures

Model	Nominal Pressure NP	Body test pressure	Closing seal test	Max working pressures in bar with temperatures				
				-10°C	+120°C	200°C	250°C	300°C
JL1040	16	24	16	16	12.8	11.2	9.6	-
JS1025	16	24	16	16	14.7	13.9	12.8	11.2

Diameter/working pressure

ND	150	200	250	300/350
BAR	16	12	9	6

For higher pressures use the balancing cap.

Sizes

ND	I1	I2	h1	h2	d1	D1	D2	k	n°xd3	b1	b2
15	130	90	160	135	100	95	95	65	4x14	12	13
20	150	95	162	136	100	105	105	75	4x14	14	15
25	160	100	168	134	100	115	115	85	4x14	15	15
32	180	105	188	153	100	130	140	100	4x18	16	17
40	200	115	193	155	100	140	150	110	4x18	17	17
50	230	125	225	188	160	155	165	125	4x18	18	19
65	290	145	236	188	160	175	185	145	4x18	18	19
80	310	155	282	226	200	190	220	160	8x18	20	21
100	350	175	304	244	200	210	220	180	8x18	22	23
125	400	200	390	327	250	250	250	210	8x18	24	24.5
150	480	225	408	320	250	285	285	240	8x22	24	24.5
200	600	275	570	468	400	340	340	295	12x22	28.5	28.5
250	730	325	606	481	400	400	400	355	12x26	30	30
300	850	300	650	511	400	460	460	410	12x26	30	30

