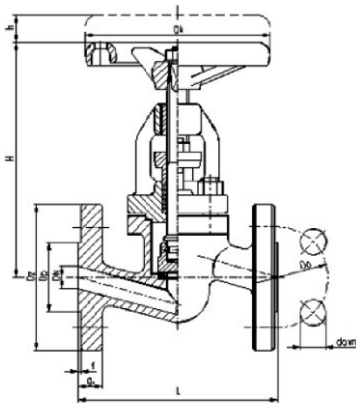


# GLOBE VALVE

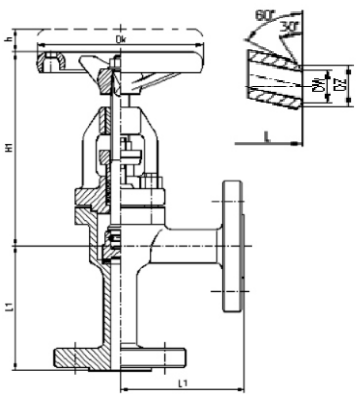
## Steel with stuffing box seal NP 40

### Art. 085.0450 Straight

### Art. 085.0451 Angle



Sec.Art. 085.0450



Sec.Art. 085.0451

**Execution:** body in carbon steel C 22.8 (ND 15 ÷ ND 50) from ND 65 in carbon steel GS-C25N - Rst cap 42.2/GS-C25N - steel stem X 20 Cr 13 - body seat in stainless steel 15 CrNiMn 18.8 - stainless steel cap seat X 20 Cr13 - graphite gasket - drilled and dimensioned flanges DIN NP 40 - seal surface with relief DIN 2501 - gauge according to ISO normatives - enclosed balancing cap for ND 125 ÷ ND 250.

**Diameters: ND 15 ÷ ND 200**

Max pressure 40 bar

Max temperature 425°C

**Employments:** low pressure steam plants - heat conveying plants - boiler equipment - pressure tanks.

**On request:** regulation cone - position indicator - stellite seats - cap with ring in P.T.F.E.

#### Working pressure

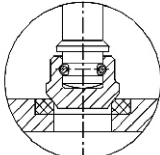
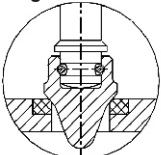
Nominal pressure NP	Max admissible working in bar - temperature in °C						
	120°C	200°C	250°C	300°C	350°C	400°C	425°C
40	40	35	32	28	24	21	16

#### Sizes

ND	Kv m <sup>3</sup> /h	Dz	Dp	Do	L	f	g	H	Dk	DZ	DW	L1	H1
15	4	95	45	65	130	2	16	155	120	22	18	90	150
20	6	105	58	75	150	2	18	155	120	27	23	95	150
25	9	115	68	85	160	2	18	155	120	34	29	100	150
32	16	140	78	100	180	2	18	195	160	43	37	105	185
40	25	150	88	110	200	3	18	205	160	49	43	115	198
50	40	165	102	125	230	3	20	215	160	61	55	125	210
65	72	185	122	145	290	3	22	320	200	77	69	145	290
80	125	200	138	160	310	3	24	370	250	90	81	155	320
100	170	235	162	190	350	3	24	405	320	115	105	175	360
125	265	270	188	220	400	3	26	436	280	141	131	200	390
150	380	300	218	250	480	3	28	496	320	170	158	225	440
200	685	375	285	320	600	3	34	576	400	222	204	275	515

Regulation cone

ND 15-50



PTFE Soft Seat

ND 125-200

